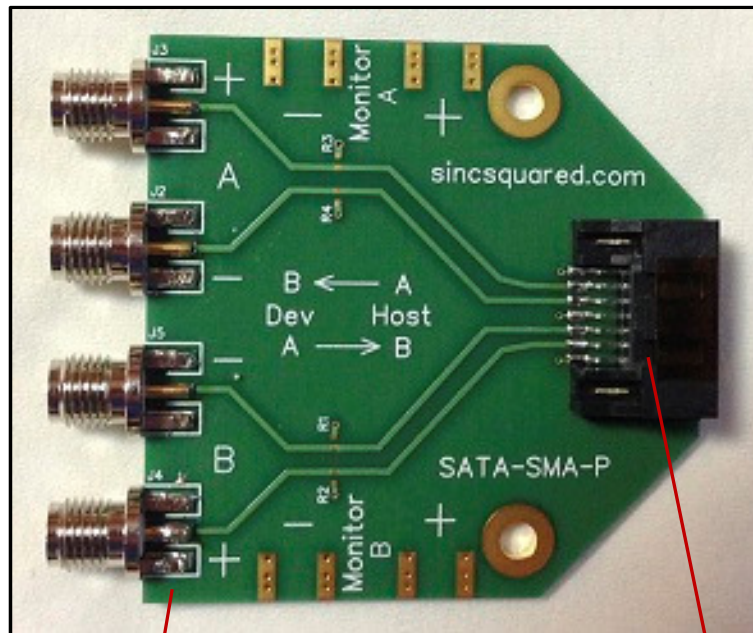


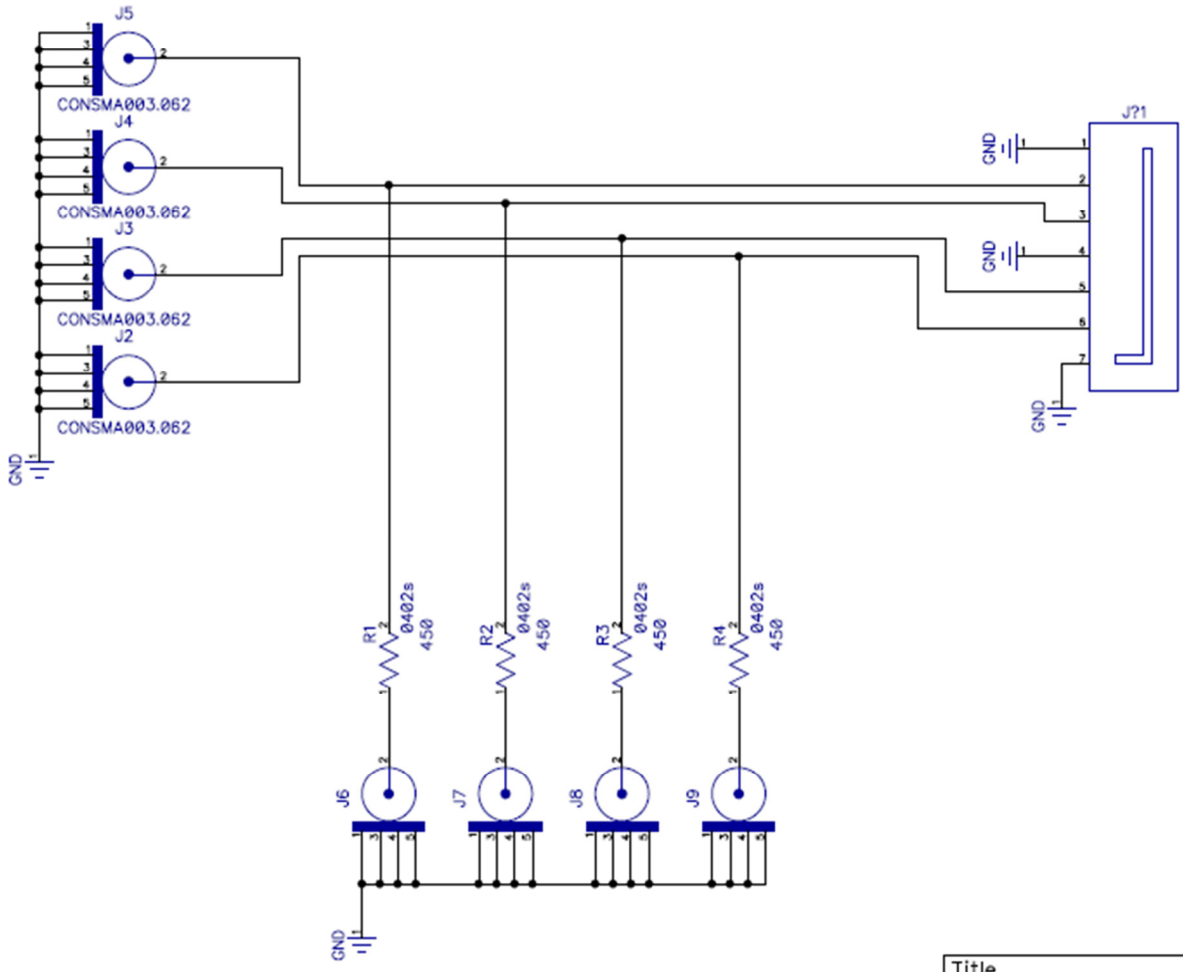
Sinc Squared SATA to SMA Breakout Board



\$250.00 without monitor connectors

\$310 with monitor connectors





Title
SATA to SMA